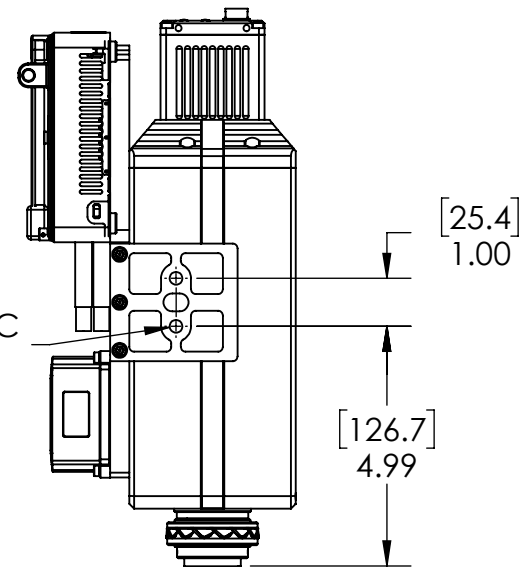


2X 1/4-20 UNC
 ↓ .350



UNLESS OTHERWISE SPECIFIED:	NAME	DATE	RESONON, INC. 123 Commercial Drive, Bozeman, MT 59715 406.586.3356	
DIMENSIONS IN INCHES TOLERANCES: FRACTIONAL ±1/64 ANGULAR: MACH ±0.1 BEND ±1 TWO PLACE DECIMAL ±0.01 THREE PLACE DECIMAL ±0.005 DIMENSIONS IN BRACKETS IN MM	DRAWN:	07/03/2019	TITLE:	
	PROJECT:		Pika IR / IR+ Gimbal Caddy	
DO NOT SCALE DRAWING	COMMENTS:		SIZE	PART NO.
MATERIAL	PROPRIETARY AND CONFIDENTIAL THE INFORMATION CONTAINED IN THIS DRAWING IS THE SOLE PROPERTY OF RESONON, INC. ANY REPRODUCTION IN PART OR AS A WHOLE WITHOUT THE WRITTEN PERMISSION OF RESONON, INC. IS PROHIBITED.		A	
FINISH			REV:	SHEET 1 OF 1
ROUGHNESS TO BE 32 RMS FOR ALL NON-THREADED SURFACES				
N.A.				