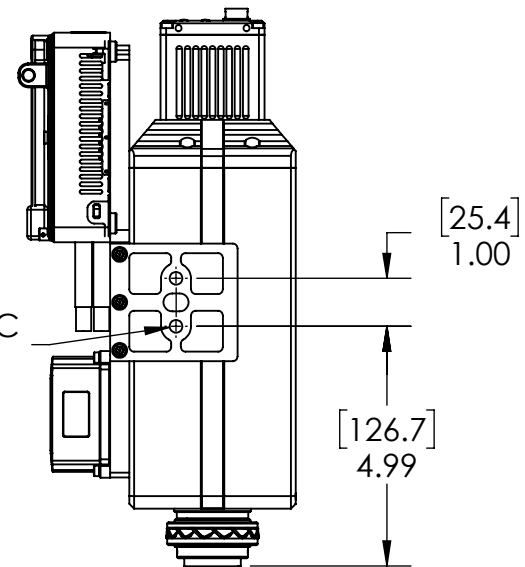


2X 1/4-20 UNC  
 ↓ .350



UNLESS OTHERWISE SPECIFIED:	NAME	DATE	<b>RESONON, INC.</b>	
DIMENSIONS IN INCHES	DRAWN:	07/03/2019	123 Commercial Drive, Bozeman, MT 59715	
TOLERANCES:	PROJECT:		406.586.3356	
FRACTIONAL ±1/64	COMMENTS:		TITLE:	
ANGULAR: MACH ±0.1 BEND ±1			Pika NIR X Gimbal Caddy	
TWO PLACE DECIMAL ±0.01			SIZE PART NO.	
THREE PLACE DECIMAL ±0.005			<b>A</b>	
DIMENSIONS IN BRACKETS IN MM	<b>PROPRIETARY AND CONFIDENTIAL</b>		REV:	
DO NOT SCALE DRAWING	THE INFORMATION CONTAINED IN THIS DRAWING IS THE SOLE PROPERTY OF RESONON, INC. ANY REPRODUCTION IN PART OR AS A WHOLE WITHOUT THE WRITTEN PERMISSION OF RESONON, INC. IS PROHIBITED.		SHEET 1 OF 1	
MATERIAL				
N.A.				
FINISH				
ROUGHNESS TO BE 32 RMS FOR ALL NON-THREADED SURFACES				
N.A.				