

RESONON

PIKA L HYPERSPECTRAL CAMERA

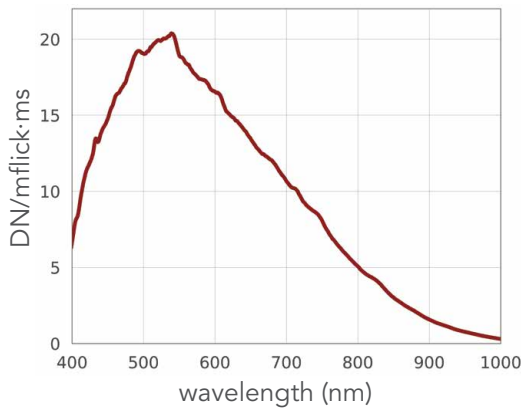


The Pika L is a line-scan hyperspectral camera that covers the visible and near-infrared spectral range (400 – 1000 nm). The Pika L is lightweight and compact, ideal for remote sensing. It can be used with any of Resonon's benchtop, outdoor, and airborne systems, standalone with our software development kit, and integrated into machine vision systems.

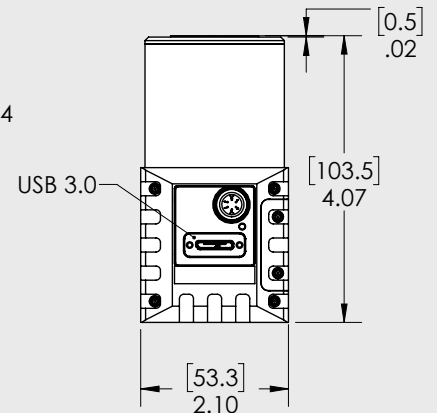
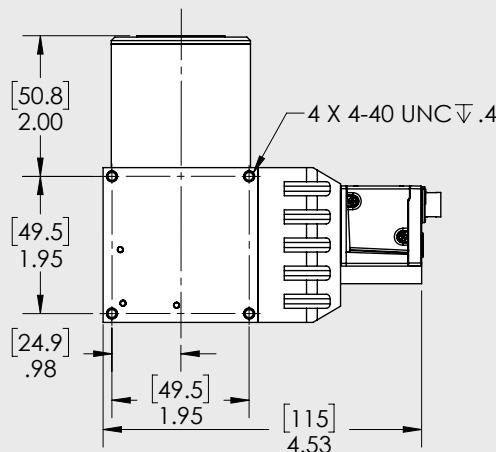
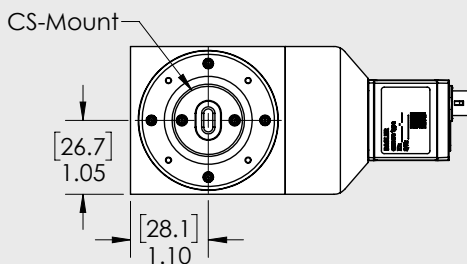
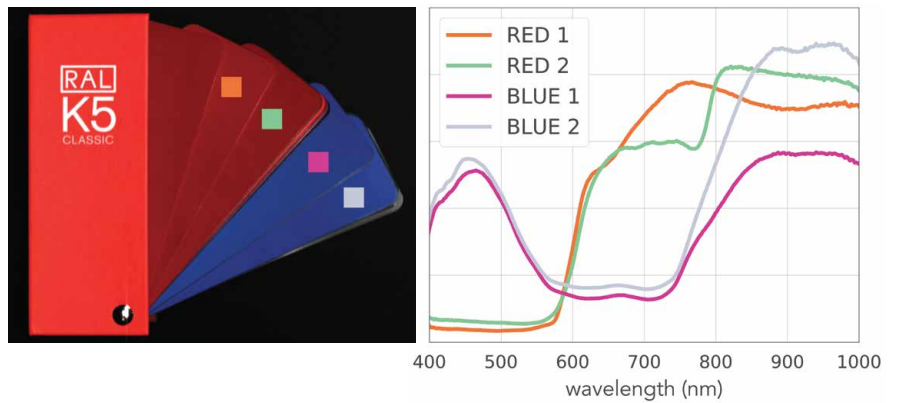
FEATURES

- Spectral Range: 400 – 1000 nm
- 900 Spatial Pixels Per Line
- 281 Spectral Channels Per Line
- Lightweight and Compact (0.7 kg with lens)

SPECTRAL RESPONSE



ACTUAL DATA



PIKA L SPECIFICATIONS

Spectral Range	400 - 1000 nm
Spectral Channels^[1]	281
Spectral Bandwidth	2.1 nm
Spectral Resolution (FWHM)	3.3 nm
Spatial Pixels per Line	900
f/#	2.4
Dimensions	10.0 x 12.5 x 5.3 cm
Weight	0.60 kg
Power Requirements	3.4 W via USB
Max Frame Rate	249 fps
Interface	USB 3.0
Bit Depth	12
Pixel Size	5.86 μ m
Peak SNR^[2]	255
Binning	spectral and spatial available
Sensor Type	CMOS
Sensor Cooling	passive
Operating Temperature (non-condensing)	0 - 50 C
Recommended Temperature (non-condensing)	5 - 40 C
Objective Lens Mount	CS-mount
Objective Lens Field-of-View Options	4°, 6°, 13°, 18°, 25°, 37°, 47°
Software Development Kit	Windows, C++

[1] This is the number of spectral channels spanning 400 – 1000 nm. The total number of spectral channels delivered by the Pika L is 300, with bands extending beyond both edges of the Spectral Range.

[2] This value obtained at minimum binning. SNR can be increased with spectral and spatial binning.

Sample data and hyperspectral analysis software are available for free download at downloads.resonon.com.

A C++ software development kit is available for direct control of our hyperspectral cameras.